

OM5000 Optical Attenuator

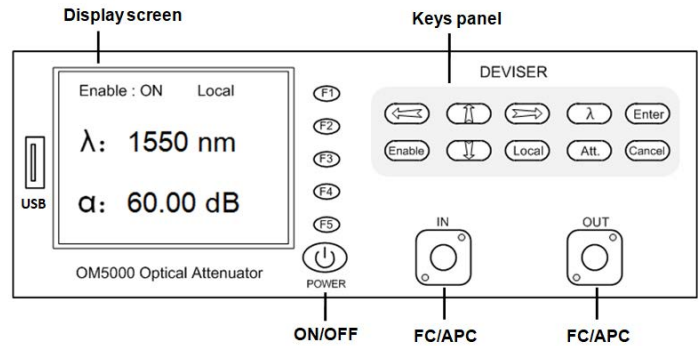
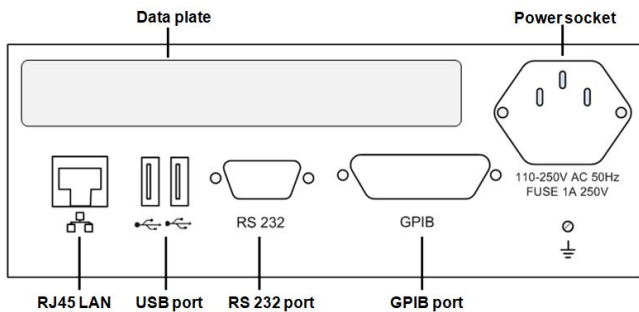
Key Benefits

- Attenuates wavelengths within 1200 ~ 1650nm range, with 0.01dB resolution
- Top requested feature: can stop optical signal at any time
- Low insertion loss; high accuracy & repeatability
- Connect to a PC from the GPIB connector port
- Additional WiFi function makes it easy to check system stability



Overview

From Deviser Instruments, the OM5000 is a desktop optical attenuator that serves a wide wavelength range of 1200 ~ 1650nm. Equipped with systems for precise circuit control and position-sensing, the OM5000 offers a continuously variable attenuation range of 0~60dB with high accuracy, good reliability, and fast response. It is ideal for test and debug tasks in an optical fiber communication system, as well as metering the right amount of power for your system's needs.



Specifications

Parameter	
Wavelength range	1200 ~ 1650nm
Attenuation range	0 ~ 60dB
Resolution	0.01dB
Insertion loss	≤ 2dB
Attenuation accuracy	≤ ±0.2dB
Repeatability	≤ ±0.02dB
Return loss	> 50dB
Optical port type	FC/APC
Additional ports	1x GPIB; 1x RJ45 (1000M); 3x USB 2.0
Power supply	220V ± 10%; 50 Hz ± 5% (power consumption ≤ 10W)
Operating temperature	0 ~ 50°C
Storage temperature	-20 ~ +70°C
Humidity	5 ~ 90%, non-condensing
Dimensions (LxWxH)	13.4" x 8.7" x 3.9" (340mm x 222mm x 100mm)
Weight	5.7 lbs (2.6kg)